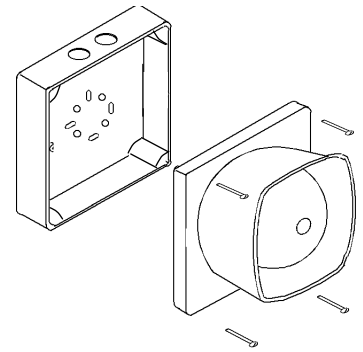


302-0004 Twinflex Hipoint

Introduction

The Twinflex Hipoint unit allows for audible indication when the system enters an alarm condition. This device is compatible with the Twinflex 2-wire range of Fire Alarm equipment and comprises a 2-wire zone-powered sounder. This device may be installed on the same zone as the Multipoint detector/sounder and associated Twinflex devices.



Before Installation

The Sounder must be installed in compliance with the control panel installation manual. The installation must also meet the requirements of any local authority. For maximum performance the detector should be installed in compliance with BS5839 Pt1 : 2002 + A2 : 2008.

Spacing

Fike recommends spacing of sounders in accordance with BS5839 Pt1. For more specific information regarding sounder spacing, placement and special applications please refer to BS5839 Pt1 : 2002 + A2 : 2008.

Device Installation

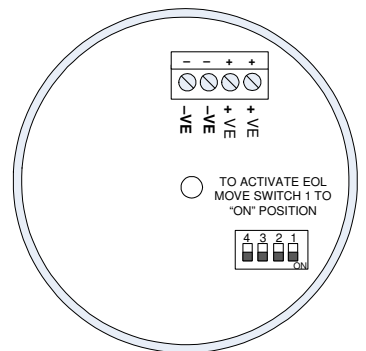
Fix the back box in a suitable position using at least two screw holes/slots, remembering to allow enough cable length for installation. All wiring must be installed in compliance with the recommendations laid out by BS5839 Pt1 : 2002 as well as any special recommendations documented in the control panel installation manual.

Connections

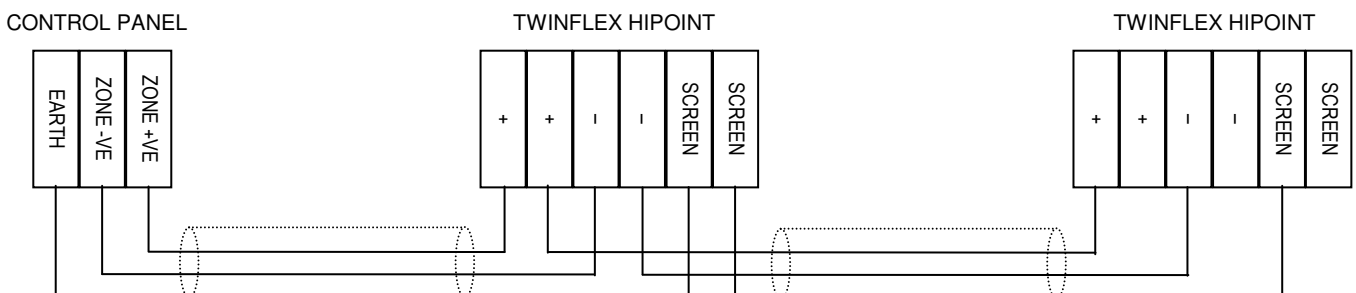
The cabling used should be of a 2-core 1.5mm² screened, fire resistant type (e.g. MICC or FP200 equivalent), and is to be wired in the form of a screened 2-core radial circuit (with no spurs) from the control panel, terminating at the last ("End of Line") device.

No screen connection is allowed for within the device. Incoming and outgoing cable screens must therefore be connected through using a suitable connector. It is important to maintain the screen continuity in order to protect against data corruption from interference.

Once all testing has been carried out on the cabling and **continuity & insulation** has been proven, the Hipoint front may be fitted. The Hipoint front is fitted by locating the rubber seal in the groove on the back box and then pushing the front unit gently home. The four fixing screws may then be tightened as required.



Remember that the device at the end of the line must have its EOL signal activated using the relevant DIL switch. Do not use a resistor or capacitor (or another manufacturer's End of Line device) as the end of line, as this may prevent correct operation of the zone.

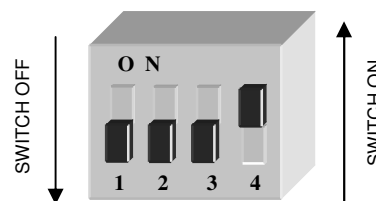


Twinflex Hipoints can be mixed on the same zone as other types of Twinflex device (eg. Twinflex Multipoint Detectors). The above diagram shows how to make the zone positive, zone negative and screen connections between the control panel and Twinflex Hipoints. Refer to the instruction leaflets supplied with other Twinflex devices for their equivalent wiring/terminal labelling details.

Please note that the cable screens should only be connected to each other (and not to the building earth) at the Hipoints. The cable screen is connected to earth at the panel end only, via the zone “SCRN” terminal (or EARTH terminal on the Twinflex V3 2/4/8 Zone panels).

DIL Switch Settings

The detector DIL switches may be used to program the operation of the Hipoint Sounder. They may be altered whilst the device is still powered or the system may be powered down completely. The last device on the circuit must have the EOL signal enabled (switch number 1 in the ‘ON’ position).



		DIL SWITCH SETTINGS			
		1	2	3	4
End of line	Enabled	ON			
	Disabled	OFF			
Sound Levels	High		ON		
	Low		OFF		
Sound Patterns	Sound OFF			ON	ON
	Dual Tone UK Evacuate – 800 & 970 Hz			ON	OFF
	Slow Whoop Up - 500 to 1200 Hz sweep up			OFF	OFF
	Dual Tone French Warble – 440 & 550 HZ			OFF	ON

Technical Data

Dimensions	Width.....	123mm
	Height.....	130mm
	Depth.....	101mm
Operating Temperature		-10°C to +50°C
Voltage Ranges	DC Output from Mains Powered Panel.....	25.5 to 35V DC
	DC Output from Battery Powered Panel	20 to 26V DC
Operating Current (Typical)	Quiescent.....	185 uA
	End of line ON if applicable.....	175 uA
	<i>(in addition to Quiescent)</i>	
	Alarm Sounding – Sounder High.....	14.5 mA
	Alarm Sounding – Sounder Low	12.6 mA
Loading Units		V3 Panel Pro Panel
	Max Loading Units per zone	27 SLU..... 160 DLU
	Sounder High.	2.5 SLU..... 14.5 DLU
	Sounder Low	2.0 SLU..... 13.0 DLU
Volume Level (@ 1m anechoic, Dual Tone)	Sounder High	90+ dB(A)
	Sounder Low	65+ dB(A)
Flammability		UL94-V2
IP Rating		IP55
Part Code		302 0004

[THIS PAGE INTENTIONALLY LEFT BLANK]

Technical Support

Contact your supplier for technical support on this product.

Due to the complexity and inherent importance of a life risk type system, training on this equipment is essential, and commissioning should only be carried out by competent persons. Fike cannot guarantee the operation of any equipment unless all documented instructions are complied with, without variation. This unit complies with the EMC directive.

Fike's policy is one of continual improvement and the right to change a specification at any time without notice is reserved. Whilst every care has been taken to ensure that the contents of this document are correct at time of publication, Fike shall be under no liability whatsoever in respect of such contents. E&OE.



0832

Fike Safety Technology Ltd,
31 Springvale Ind Est,
Cwmbran, UK. NP44 5BD

(Manufactured Date on Product Label)

0832-CPD-1577

EN54-3 Fire Alarm Device – Sounder
Type A – Indoor Use

Sounder Technical Data: See 26-0747