

## ZP730-2P

ADDR. OPT. DET. PW

### Reliable sensing for most fire alarm applications

Designed for early response to slow burning, smoldering fires, the ZP730-2P is a POLAR WHITE, addressable smoke detector developed to provide reliable sensing for most fire alarm applications. The detector's proven stability in air movement associated with air conditioning systems has made it a popular selection for modern building interiors.

Operating on light scatter principles, the ZP730-2 fully meets the sensitivity requirements of EN54 Pt 7 and is approved by several international approval bodies.

### Automatic self test

False and unwanted alarms are virtually eliminated - smoke levels are continuously sensed by the unit and transmitted via the ZP wiring loop as electronic signals. These are assessed and verified by the control panel prior to any alarm decision being taken.

Installed as part of a ZP addressable system, up to 127 sensing devices may be connected to each of the control panel loops. All loop devices incorporate switch settings enabling them to be assigned a unique address that is polled by the panel every two seconds.

Sensor sensitivity, calibration and self-test are carried out automatically by the ZP system. Removal or replacement of an incorrect sensing device will be identified by the system and shown as a fault. Sophisticated auto contamination adjustment compensates for any drift in performance due to dirt in the sensing chamber.

### Locking base option

For ease of removal sensors plug into a range of base units by a simple twist and lock action. A site selectable option is provided to lock the sensor into its base. Once applied the unit can only be removed by means of a special tool.

A red LED indicator situated on the sensor moulding flashes to indicate when the unit is in alarm. Space for address labels is provided on sensor and base mouldings, ensuring units are replaced in their correct location and address numbers can be identified from floor level.



### Standard Features

- Responds to slow burning fires
- EN54 Pt7 and CPD certified
- Analogue sensing - reduces false and unwanted alarms
- Addressable - system knows the status and location of every sensor
- Alarm verification, self test, auto contamination adjustment

# ZP730-2P

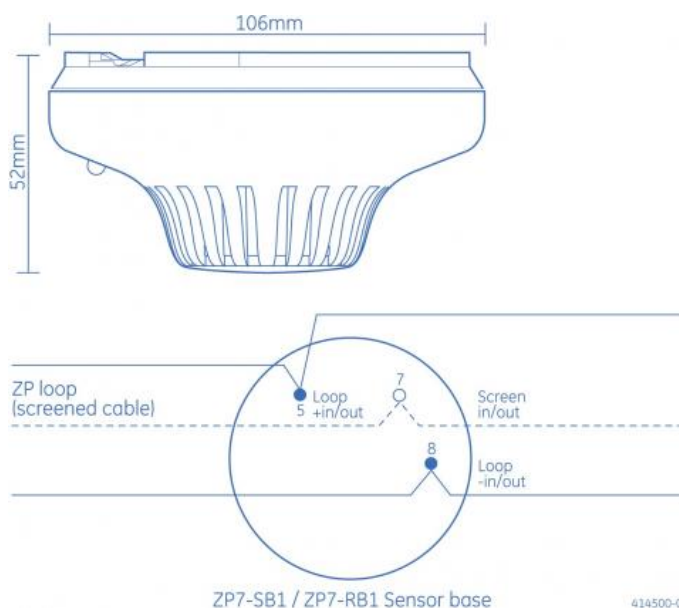
ADDR. OPT. DET. PW

## Specifications

Electrical	
Operating voltage	Loop 19.5 to 20.5 V
Physical	
Physical dimensions	106 x 52 mm (Ø x H)
Net weight	105 g (excluding base)
Colour	Polar white
Material	Moulded ABS
Dimensions (dia x h)	106 x 52mm
Weight	105g (excluding base)
Material	Moulded ABS
Colour	Polar White
Environmental	
Operating temperature	-10 to +75°C
Storage temperature	-20 to +70°C
Relative humidity	20 to 95% noncondensing
Environment	Indoor
IP rating	IP32
Application	Indoor installation
IP rating	IP32
Operating temperature	-10°C to +75°C
Storage temperature	-20°C to +70°C
RH range (noncondensing)	20 to 95%
Standards & regulation	
Certification	EN54-7
Compatibility	
	All ZP7 addressable systems
Mounting	
	Plugs into surface or semi recessed base
Operating voltage	
	19.5 to 20.5V, max. line loss 4V
Current consumption	
Quiescent	600µA
Alarm	700µA
Wiring	
	2 core loop or spur
Monitoring	
	Open/short circuit, removal & device type.
Addressing method	
	7 way dipswitch
Detection principle	
Smoke	Photo electric light scatter
Area coverage (subject to local codes)	
Optical	100m <sup>2</sup>
Indication	
	Alarm LED (red)
EMC	
	CE marked (EEC89/336)

## Ordering Information

Part No.	Description
ZP730-2P	ADDR. OPT. DET. PW
ZP7-IB-P	ISOL. BASE FOR ZP7 ZX8 DET. PW
ZP7-RB1-P	RECESS MNT. BASE PW
ZP7-SB1-P	SURFACE MNT. BASE PW



414500-01