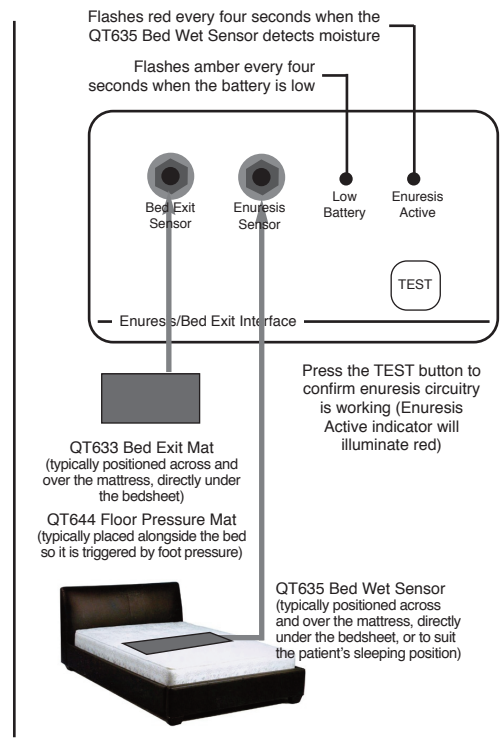
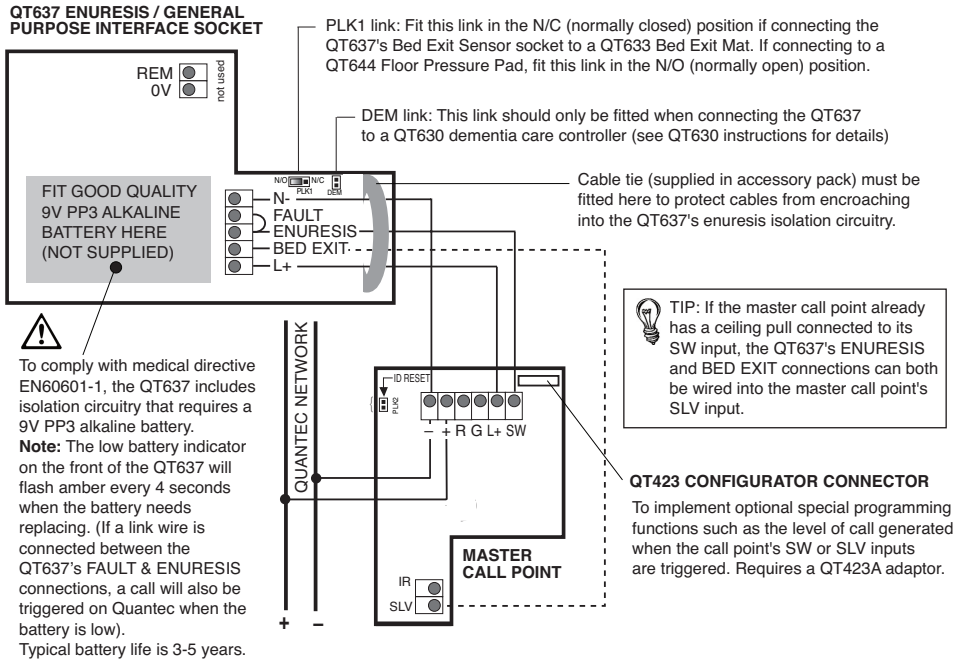


QT637 ENURESIS / GENERAL PURPOSE INTERFACE SOCKET

The QT637 Enuresis / General Purpose Interface Socket is designed for use in nursing home / hospital type applications where it can be used to:-

- (1) Indicate if moisture is detected in a patient's bed via a separately available QT635 bed wet sensor.
- (2) Detect if a patient has exited their bed via a separately available QT633 bed exit mat or QT644 floor pressure mat.

This instruction explains how to connect the QT637 to a Quantec Addressable Call System via the slave inputs on a new-style QT602 / 609 Master Call Point. If connecting the QT637 directly to a QT630 Dementia Care Controller, please refer to the separate instructions provided with the QT630.



QT637 ENURESIS / GENERAL PURPOSE INTERFACE SOCKET

The QT637 Enuresis / General Purpose Interface Socket is designed for use in nursing home / hospital type applications where it can be used to:-

- (1) Indicate if moisture is detected in a patient's bed via a separately available QT635 bed wet sensor.
- (2) Detect if a patient has exited their bed via a separately available QT633 bed exit mat or QT644 floor pressure mat.

This instruction explains how to connect the QT637 to a Quantec Addressable Call System via the slave inputs on a new-style QT602 / 609 Master Call Point. If connecting the QT637 directly to a QT630 Dementia Care Controller, please refer to the separate instructions provided with the QT630.

