

EV-MCP2-SCI-IP67 Installation instructions

1. Carefully knock out the holes for the Cables glands, or conduit, required for the installation. Fix Waterproof Back Box to wall using screws through the pre-drilled holes.
Note: Do NOT make additional holes in the waterproof cavity.
2. Insert the "O" Ring into the Red section of the Call Point as shown in Figure 1 below.

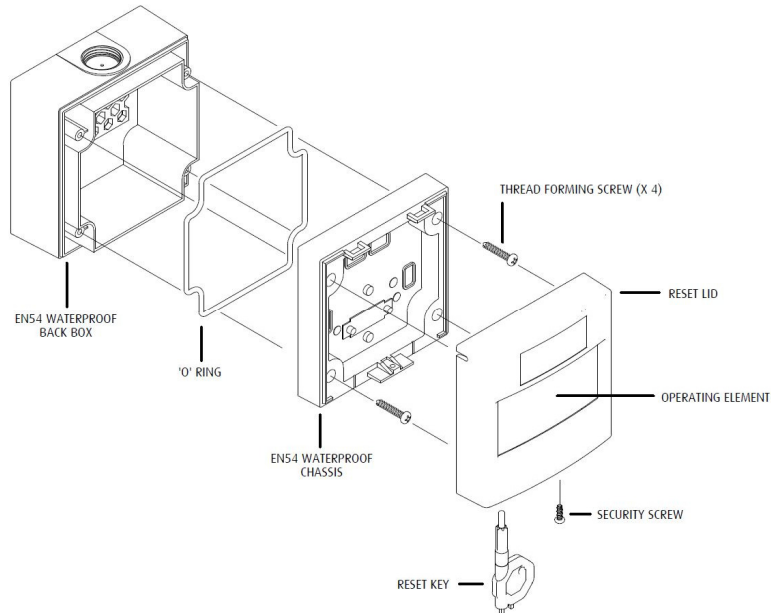


Figure 1

3. Set the device address using the 8-Way DIL switch on the reverse of the Unit.
4. Make the Loop connections as shown in figure 2 below and on the product Label. An Earth point is provided in the Back Box moulding if required.

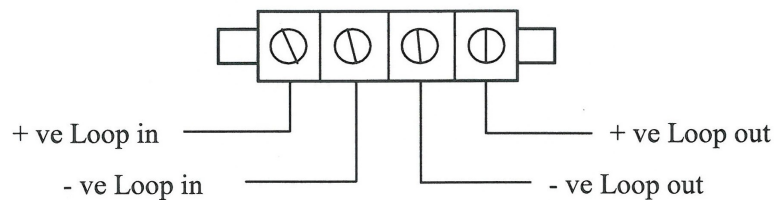




Figure 2

EV-MCP2-SCI-IP67 Installation instructions

5. Fasten the Waterproof Chassis to the Back Box, then fit the Reset Lid to the unit, as shown in Figure 1, using the screws provided.
6. To Activate the Call Point, Press the Operating Face, where indicated by the arrows, until it Clicks and the Yellow/Black flag is clearly visible.
7. To Reset the Call Point, Insert the Reset Key where shown in Figure 1 and turn anti-clockwise until it Clicks and the Yellow/Black flag has retracted from view.

EV-MCP2-SCI-IP67 - Waterproof Resettable Manual Call Point with integral Short Circuit Isolator.	
	
	
Nittan Europe Ltd. Hipley Street, Old Woking, Surrey, GU22 9LQ United Kingdom	Tel: +44 (0) 1483 769 555 Fax: +44 (0) 1483 756 686 Email: sales@nittan.co.uk Web: www.nittan.co.uk
D.o.P. Number: 00440	
EN54-11: 2011 - Type A Outdoor Manual Call Point IP67 EN54-17: 2005 - Short Circuit Isolator	
For use with Nittan Evolution Protocol Only. Loop Voltage: 20 to 38 V d.c. Quiescent Current: 200µA Alarm Current: 2mA (LED ON). Technical Data Sheet: TD-EV-MCP2-SCI-IP67	