

313-0021 Twinflex Soundpoint, Red
313-0022 Twinflex Soundpoint, White

General Description

The Twinflex Soundpoint unit allows for audible indication when the system enters an alarm condition. This device is compatible with the Twinflex 2-wire range of Fire Alarm equipment and comprises a 2-wire zone-powered sounder. This device may be installed on the same zone as the Multipoint detector/sounder and associated Twinflex devices.

Before Installation

The Sounder must be installed in compliance with the control panel installation manual. The installation must also meet the requirements of any local authority. For maximum performance the sounder should be installed in compliance to BS5839 Pt1 : 2002 + A2 : 2008.

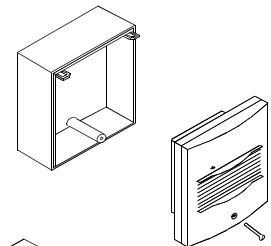
Spacing

Fike recommends spacing of sounders in accordance with BS5839 Pt1. For more specific information regarding sounder spacing, placement and special applications please refer to BS5839 Pt1 : 2002 + A2 : 2008.

Device Installation

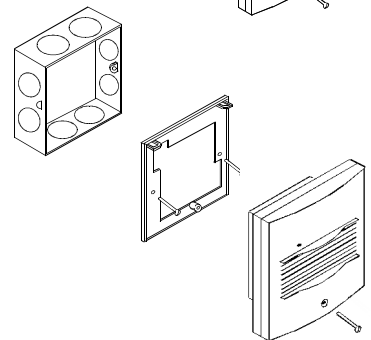
Surface Mounting

Fix the surface back box to a flat vertical surface using at least two of the four mounting holes provided. The back box may be drilled to allow cable access as required. A 20mm hole is already provided at the rear. Zone cabling may be connected to the terminals in the back box.



Flush Mounting

The Soundpoint may be flush mounted utilising the optional adaptor plate, combined with any standard single gang flush mounting back box (with a minimum internal depth of 47mm).

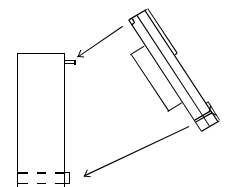


After installing the back box securely, attach the adaptor plate using the two screws provided, and terminate your cables directly into a flying terminal block.

Installation 2nd Fix

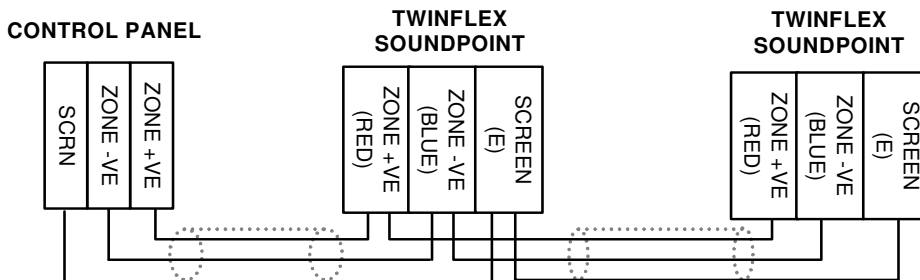
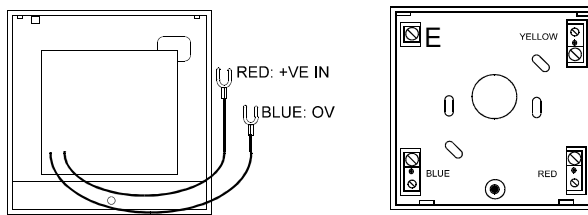
Once all testing has been carried out on the cabling and 'continuity & integrity' has been proven, the Soundpoint front may be installed.

Connect the wires from the Soundpoint front in to the appropriate terminals in the back box according to the wire colours. The Soundpoint front may then be installed by locating the upper mounting hooks into the back box and then pushing the unit gently home. The single fixing screw may then be tightened as required.



Please remember that all high voltage testing must be carried out before the installation of the Soundpoint front unit, otherwise the electronics will be damaged.

Connections



Twinflex Soundpoints can be mixed on the same zone as other types of Twinflex device (eg. Twinflex Multipoint Detectors). The above diagram shows how to make the zone positive, zone negative and screen connections between the control panel and Twinflex Soundpoints. Refer to the instruction leaflets supplied with other Twinflex devices for their equivalent wiring/terminal labelling details.

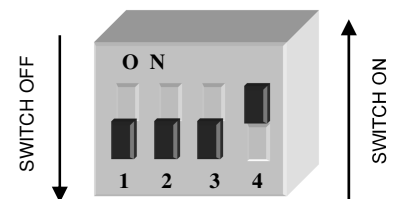
Please note that the E terminal on the Soundpoints should only be connected to the zone cable screen and NOT to the building earth. The cable screen is connected to earth at the panel end only, via the zone “SCRNM” terminal (or EARTH terminal on the Twinflex V3 2/4/8 Zone panels). It is important to maintain the screen continuity in order to protect against data corruption from interference.

Remember that the device at the end of the line must have its EOL signal activated using the relevant DIL switch. Do not use a resistor or capacitor (or another manufacturer’s End of Line device) as the end of line, as this may prevent correct operation of the zone.

DIL Switch Settings

The detector DIL switches may be used to program the operation of the Soundpoint. They may be altered whilst the device is still powered or the system may be powered down completely.

The last device on the circuit must have the EOL signal enabled (switch number 1 in the ‘ON’ position).



| | | DIL SWITCH SETTINGS | | | |
|-----------------------|---|---------------------|-----|-----|-----|
| | | 1 | 2 | 3 | 4 |
| End of line | Enabled | ON | | | |
| | Disabled | OFF | | | |
| Sound Levels | High | | ON | | |
| | Low | | OFF | | |
| Sound Patterns | Sound OFF | | | ON | ON |
| | Dual Tone UK Evacuate – 800 & 970 Hz | | | ON | OFF |
| | Slow Whoop Up - 500 to 1200 Hz sweep up | | | OFF | OFF |
| | Dual Tone French Warble – 440 & 550 HZ | | | OFF | ON |

Technical Data

| | | |
|-----------------------------|--|-------------------------|
| Dimensions | Width | 89 mm |
| | Height | 89 mm |
| | Flush Depth Protruding | 34 mm |
| | Surface Depth | 62 mm |
| Operating Temperature | | -10°C to +50°C |
| Voltage Ranges | DC Output from Mains Powered Panel ... | 25.5 to 35V DC |
| | DC Output from Battery Powered Panel ... | 20 to 26V DC |
| Operating Current (Typical) | Quiescent | 185 uA |
| | End of line ON if applicable | 175 uA |
| | <i>(in addition to Quiescent)</i> | |
| | Alarm Sounding – Sounder High..... | 14.5 mA |
| | Alarm Sounding – Sounder Low | 12.6 mA |
| Loading Units (SLUs) | | V3 Panel Pro Panel |
| | Max Loading Units per zone | 27 SLU 160 DLU |
| | Sounder High | 2.5 SLU 14.5 DLU |
| | Sounder Low | 2.0 SLU 13.0 DLU |
| Volume Level | Sounder High | 85+ dB(A) |
| (@ 1m anechoic, Dual Tone) | Sounder Low | 65+ dB(A) |
| Flammability | | UL94-V2 |
| IP Rating | | IP 21C |

Technical Support

Contact your supplier for technical support on this product.

Due to the complexity and inherent importance of a life risk type system, training on this equipment is essential, and commissioning should only be carried out by competent persons. Fike cannot guarantee the operation of any equipment unless all documented instructions are complied with, without variation. This unit complies with the EMC directive.

Fike's policy is one of continual improvement and the right to change a specification at any time without notice is reserved. Whilst every care has been taken to ensure that the contents of this document are correct at time of publication, Fike shall be under no liability whatsoever in respect of such contents. E&OE.

CE
0832

Fike Safety Technology Ltd,
31 Springvale Ind Est,
Cwmbran, UK. NP44 5BD

(Manufactured Date on Product Label)

0832-CPD-1578

EN54-3 Fire Alarm Device – Sounder
Type A – Indoor Use

Sounder Technical Data: See 26-0747