

Detector Base with Short Circuit Isolator

EV-B-SCI

Part no. F03-83605

General Description

EV-B-SCI is a low profile detector base for all types of Evolution analogue addressable detectors.

The base plate is made for use in dry and clean spaces.

The cable entry is from the center or from the side of the base.

EV-B-SCI is developed to provide Short Circuit Protection in the detector base.

Short Circuit Isolator function is fully transparent and does not require any setting.

Features and benefits

- Low profile
- Quick and safe Short Circuit Isolation

Approvals

Test Standards	EN54-17: 2005 / AC: 2007
CPR Certificate	0359-CPR-00239
DoP Number	00239-UB6

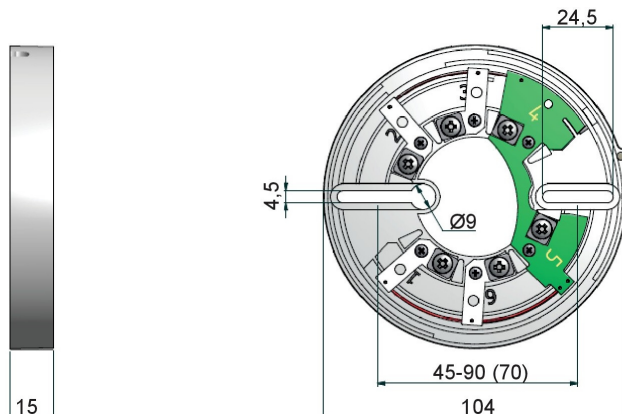
All wiring must conform to the current edition of IEE Wiring regulations and BS5839 Part 1

Data

Operating voltage	22 VDC to 38 VDC
Quiescent current	60 μ A
Current when short circuited	13 mA
Ingress protection	IP22
Operating temperature	-10°C to +55°C
Relative humidity	RH 95%
Cable terminals	Max 2.5 mm ²
Material	PC/ABS
Weight	70 g
Minimum sw open voltage (V _{so min})	9 VDC
Maximum sw open voltage (V _{so max})	11 VDC
Minimum sw close voltage (V _{sc min})	10 VDC
Maximum sw close voltage (V _{sc max})	12 VDC
Maximum line current (I _{c max})	800 mA
Maximum switching current (I _{s max})	1500 mA
Maximum leakage current (I _{l max})	13 mA
Maximum switch resistance (Z _{c max})	120 m Ω

All loop Cable Screens shall be connected together, but must be Isolated from Ground. Cable Screens shall be connected to Earth Ground within the Control Panel ONLY.

Dimensions (mm)



Connections

