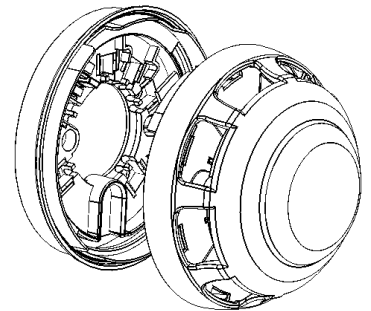




**205-0003 Sita Multipoint ASD Detector,  
205-0001 Sita Multipoint ASD with Sounder,  
205-0012 Sita Multipoint ASD with Sounder / Strobe**

**General Description**

The Multipoint ASD is a plug-in type smoke detector that utilises a photo-electric sensing chamber to make a measurement corresponding to smoke density. The device also incorporates a thermistor sensing circuit to allow for accurate heat measurement. These elements allow the device to be configured to a smoke, heat or combined setting. Digital communication technology to the control panel is implemented allowing for accurate data transfer at high transmission speeds. This device is only compatible with the Sita200plus, Duonet and Quadnet ranges of control panels and may also incorporate a sounder or visual indication beacon (ignore all references to sounders/beacons if your device has no sounder/beacon).



**Before Installation**

The detector must be installed in compliance with the control panel installation manual. The installation must also meet the requirements of any local authority. For maximum performance the detector should be installed in compliance with BS5839 Pt1 : 2002 + A2 : 2008.

**Spacing**

Fike recommends spacing detectors in accordance with BS5839 Pt1. Due to the effects of IR and possible magnetic interference, detectors should not be fitted any closer than 500mm (preferably 1000mm) to a light fitting or any other source of IR or EMI. In addition to this recommendation, the device should be mounted so that the indication LED is facing towards the light source. For more specific information regarding detector spacing, placement and special applications please refer to BS5839 Pt1 : 2002 + A2 : 2008.

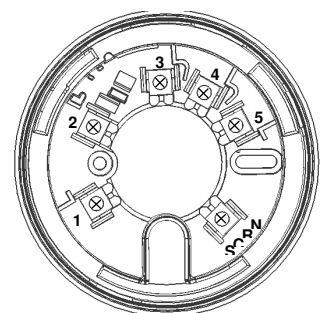
**Detector Installation**

All wiring must be installed in compliance with the recommendations laid out by BS5839 as well as any special recommendations documented in the control panel installation manual. **The cabling used should be of a 2-core 1.5mm<sup>2</sup> screened, fire resistant type with the following characteristics:**

- Max Capacitance Core to Screen..... 180pF / m
- Max Capacitance Core to Core..... 100pF / m
- Max Inductance..... 1.0mH / km
- Max Resistance Two Core Screened 1.5mm<sup>2</sup>..... 12.1Ω / km

**It is to be wired in the form of a screened 2-core loop returning to the control panel. The use of spurs on this system is not permitted.** Cables may be terminated into the connectors mounted in the base, as shown below. Care should be taken when terminating devices to ensure all cables are correctly sleeved and connections are secure. Improper connections will prevent a system from responding properly in the event of a fire.

Terminal	Description
1 / LOOP 0V	Loop -ve IN & OUT (also Remote LED 0V if used)
2 / LOOP +IN	Loop +ve IN
3 / LOOP +OUT	Loop +ve OUT
4 / AUX +VE	Auxiliary +ve if used (or Remote LED +ve if used)
5 / AUX -VE	Auxiliary -ve if used
SCRN	Cable Screen



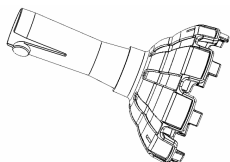
The Loop +ve (positive) IN and the Loop +ve (positive) OUT connections are automatically joined together (short circuit) by a spring arm between terminals 2 and 3 until the detector is installed. This allows for cable continuity readings at the commissioning stage.

Please remember that all high voltage testing must be carried out before the installation of the electronics, otherwise the electronics will be damaged. Please also note that the SCR terminal should only be connected to the loop screen and NOT the building earth.

Once all testing has been carried out on the cabling and **continuity & insulation** has been proven, the Multipoint detector head may be fitted. Before installing the head remember to note the serial number of the device (located on the rear of the detection head) onto your drawings or configuration sheets to enable you to prove its location later. The address allocation for the device is carried out automatically by the control panel whilst in initialisation mode, so addresses do not need to be set manually.

To install the detection head, locate the plastic guides into the base and gently twist clockwise until the unit locks in place.

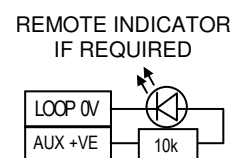
### **Tamper Resistance and Head Removal**



The ASD detector incorporates a tamper resistant locking mechanism that prevents its removal from the base without the use of a special tool. To remove the device, the tool should be attached over the detector and turned anti-clockwise allowing the detector to be removed from the base.

### **Remote LED (not available if Auxiliary Input / Output used)**

The remote LED terminals may be used to connect a separate external LED unit (Fike part no. 600-0092) to the detector that will activate only when the device to which it is connected enters an alarm condition. The Fike LED unit incorporates the necessary 10k Ohm current limiting resistor. No other components or equipment may be connected to the detector remote LED terminals. Connection of other components or equipment may damage the detector. This feature cannot be used at the same time as an auxiliary input or output.



### **Auxiliary Input / Output (not available if Remote LED used)**

Where Input/Output functionality is required other than at the control panel, it is recommended that a separate Sita Loop I/O Module is fitted to the addressable loop as a dedicated I/O module. Where this is not possible, a limited auxiliary I/O facility is available from the detector via the auxiliary I/O terminals with the addition of a separate Sita Multipoint Boxed Auxiliary I/O Module. Either an input or an output may be controlled through this additional I/O interface module. Please see the relevant panel programming manual for details of the options available for different modes of operation. Note that an input or output may only be connected to the detector via the Sita Multipoint Boxed Auxiliary I/O Module. Input/output components or equipment must not be connected directly to the detector auxiliary terminals otherwise damage may occur. This feature cannot be used at the same time as a remote LED. Note also that sound pattern SP4 or SP6 should not be used if the detector I/O facility is used.

### **Beacon Operation**

If the unit includes a Visual Indication Beacon, this consists of a number of high output LEDs mounted beneath a diffusing lens at the lowest part of the detector. The beacon will start to operate when the device receives a command to activate its sounder, even if the sound pattern is set to **SP0 - Sounder off**. If only the beacon is required to operate (without the sounder), SP0 must be selected via the configuration software.

### **Head Contamination Warning**

Warning of head contamination is in two stages. Firstly in the form of a 'Quiescent optical level high or low' event recorded into the event log and fault or warnings list (depending on the control panel being used), and secondly in the form of a 'Smoke sensor failed; signal high event, recorded into the event log and fault list.

If the smoke detection mode is set to SM0 (off) the head contamination may still be monitored at the detector depending on the smoke mode, but not by the panel. If contamination is present then the result will be an LED flash every five seconds at the detector, but the panel will show no fault. Thus, if a device is being re-programmed to re-enable a smoke detection mode which has been turned off, check the LED status of the device first and ensure that a clean optical chamber is present. If this is not checked and the smoke detection mode is re-enabled, the device could signal a fire alarm when re-configured.

## Replacing Contaminated Optical Chambers

The optical chamber within the detector is not user serviceable. When an optical chamber becomes contaminated we recommend replacing the detector. Cleaning an old chamber is not possible with this device as it is a sealed unit. It is essential that the location of the contaminated device is verified using the device address indicated in the event log. Do not rely on the device text alone as it is not uncommon for descriptions to be conflicting or outdated. Once the device has been identified, see "Replacing Multipoint ASD Detectors" below.

## Replacing Multipoint ASD Detectors

If a detector requires replacement after the system has been programmed and tested then proceed as follows: Stop the loop at the control panel before replacing the detector with a new one, noting its serial number onto the configuration sheets. Initialise the loop from the control panel and re-configure the loop devices using the **Re-config** command. This will send the programmed settings from the control panel to the loop devices. The panel should then be reset and the device tested for all programmed modes of operation.

## Device Settings

The detection and sounder modes may be configured using the relevant panel software configuration package (OSP).

	Type	Description
<b>Detection Off:</b>	OFF	No smoke or heat detection
<b>Smoke Modes:</b>	SM1	Highly thermally enhanced optical detector. Used where ionization detectors are normally fitted, especially where there are high ceilings or a risk of free burning fires.
	SM2	Thermally enhanced optical. General purpose smoke detector, to be used where optical detectors are normally fitted, where there is a risk of a smouldering fire and for escape routes.
	SM3 *	Thermally enhanced optical with smoke pulse rejection. Used where optical detectors are normally used in positions exposed to brief concentrations of water vapour or smoke e.g from a bathroom, kettle, etc.
<b>Heat Modes:</b>	HM1	Rate of rise to 58°C. Used where a standard rate of rise detector would be fitted, e.g. not kitchens.
	HM2	Low fixed temperature 58°C. Used where a standard fixed temperature heat detector would normally be fitted, e.g. suitable for domestic kitchens, etc.
	HM3 *	High fixed temperature 90°C. Used where a high fixed temperature heat detector would normally be fitted, e.g. suitable for boiler rooms, commercial kitchens, etc.
<b>Sound Patterns</b>	SP0	Sounder off
	SP1	Single tone, 970 Hz continually
	SP2	Pulsed UK alert signal, 970 Hz 1s on, 1s off
	SP3	Dual tone UK evacuate signal, 970 Hz 0.25s, 800 Hz 0.25s
	SP4	Sweep up, 800 Hz to 970 Hz over 1s
	SP5	Slow whoop up, 500 to 1200 Hz over 3s, 0.5s off
	SP6	Sweep down, 1200 Hz to 500 Hz over 1s
	SP7	Dual tone French warble, 550 Hz 0.1s, 440 Hz 400ms
	NOTE	Sound Patterns SP4 and SP6 are not compatible with the detector I/O facility.
<b>Sound Volume:</b>	L/M/H	Low, medium and high settings are available.
See the Engineering & Commissioning Manual for your control panel (Sita, Duonet or Quadnet) for further details of how to program the above and all other device settings.		
* This mode is not LPCB certified.		

## Testing

Due to the fact that the smoke detection modes are all 'thermally enhanced', it may be noticeable that on test the devices respond more slowly than may be expected. This is perfectly normal and is due to the fact that during a smoke test we have no heat present to cause the sensitivity to be enhanced. Please note that some makes of heat detector test equipment will not operate with these devices due to the position of the thermistor.

## Technical Data

<b>Dimensions:</b>	Diameter	107mm
	Depth: Standard inc base	67mm
	Depth: Beacon inc base	75mm
<b>Operating temperature:</b>		-10°C to +50°C
<b>Voltage Range (Loop):</b>		24 to 42V DC
<b>Beacon Operation:</b>	Flash Duration	5ms
	Flash Interval	1s

**LED Indication:** Normal 50ms on / 20s interval  
 Fault 0.1ms on / 5s interval  
 Fire 50ms on / 400ms interval  
**IP Rating:** IP21C  
**System Compatibility:** MPS - Sita200plus V2.00 onwards.  
 MP - Sita200plus V2.30 onwards.  
 Duonet and Quadnet V1 onwards.

PRODUCT DESCRIPTION			VOLUME LEVEL (dBA) @ 1m anechoic (Dual Tone)		
Type	Product Code	Name	Low	Medium	High
MP	205 0003	ASD Mk3	-	-	-
MPS	205 0001	ASD Mk3 with Sounder	65+	80	85
MPS	205 0012	ASD Mk3 with Sounder/Strobe	65+	80	85

			LOOP CURRENT (mA)				
Type	Product Code	Name	Quiescent	SP0 - Off	Low	Medium	High
MP	205 0003	ASD Mk3	0.12	0.96	-	-	-
MPS	205 0001	ASD Mk3 with Sounder	0.12	0.99	1.48	4.03	5.84
MPS	205 0012	ASD Mk3 with Sounder/Strobe	0.12	3.99	4.48	7.03	8.84

			BATTERY CURRENT (mA)				
Type	Product Code	Name	Quiescent	SP0 - Off	Low	Medium	High
MP	205 0003	ASD Mk3	0.12	2.00	-	-	-
MPS	205 0001	ASD Mk3 with Sounder	0.12	2.07	3.09	8.39	12.17
MPS	205 0012	ASD Mk3 with Sounder/Strobe	0.12	8.32	9.34	14.64	18.42

			DLU RATING			
Type	Product Code	Name	SP0 - Off	Low	Medium	High
MP	205 0003	ASD Mk3	1	-	-	-
MPS	205 0001	ASD Mk3 with Sounder	1	1.5	4.5	6
MPS	205 0012	ASD Mk3 with Sounder/Strobe	4.5	5	8	10

**N.B.** All specified volume and current readings, unless otherwise stated are taken using sound pattern SP3.


**Sita OSP versions prior to v4.06 and Quadnet/Duonet OSP versions prior to v2.04 do not include all the above DLUs.**

## Technical Support

**Contact your supplier for technical support on this product.**

Due to the complexity and inherent importance of a life risk type system, training on this equipment is essential, and commissioning should only be carried out by competent persons. Fike cannot guarantee the operation of any equipment unless all documented instructions are complied with, without variation. This unit complies with the EMC directive.

Fike's policy is one of continual improvement and the right to change a specification at any time without notice is reserved. Whilst every care has been taken to ensure that the contents of this document are correct at time of publication, Fike shall be under no liability whatsoever in respect of such contents. E&OE.

 0832
<b>Fike Safety Technology Ltd,</b> 31 Springvale Ind Est, Cwmbran, UK. NP44 5BD  <b>(Manufactured Date on Product Label)</b>  0832-CPD-1569 0832-CPD-1570 0832-CPD-1571
EN54-3 Fire Alarm Device – Sounder Type A – Indoor Use EN54-5 Fire Alarm Device – Heat detector EN54-7 Fire Alarm Device – Smoke detector EN54-17 Fire Alarm Device – Isolator EN54-18 Fire Alarm Device – Input / Output  Sounder Technical Data: See 26-0747 Isolator Technical Data: See 26-1112