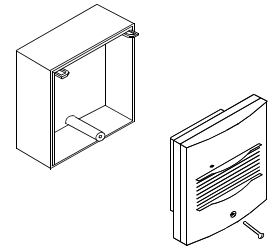


**313-0001 Sita Soundpoint, Red**  
**313-0002 Sita Soundpoint, White**

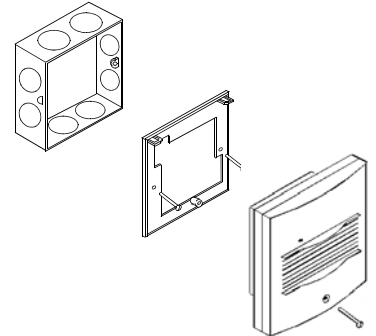
**General Description**

The Sita Soundpoint unit allows for audible indication when the system enters an alarm condition. This is an addressable unit that attaches to the loop. Digital communication technology to the control panel is implemented allowing for accurate data transfer at high transmission speeds. This device is only compatible with the Sita200plus, Duonet and Quadnet ranges of control panels.



**Before Installation**

The sounder must be installed in compliance with the control panel installation manual. The installation must also meet the requirements of any local authority. For maximum performance the sounder should be installed in compliance to BS5839 Pt1 : 2002 + A2 : 2008.



**Spacing**

Fike recommends spacing of sounders in accordance with BS5839 Pt1. For more specific information regarding sounder spacing, placement and special applications please refer to BS5839 Pt1 : 2002 + A2 : 2008.

**Device Installation**

All wiring must be installed in compliance with the recommendations laid out by BS 5839 as well as any special recommendations documented in the control panel installation manual. **The cabling used should be of a 2-core 1.5mm<sup>2</sup> screened, fire resistant type, with the following characteristics:**

- Max Capacitance Core to Screen..... 180pF / m
- Max Capacitance Core to Core ..... 100pF / m
- Max Inductance ..... 1.0mH / km
- Max Resistance Two Core Screened 1.5mm<sup>2</sup>..... 12.1Ω / km

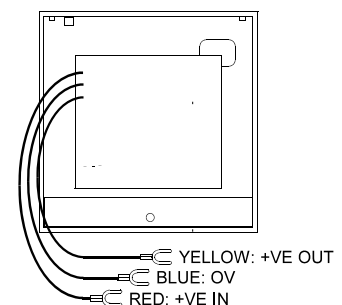
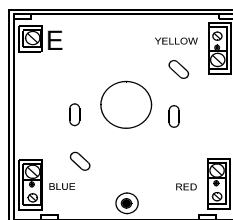
**It is to be wired in the form of a screened 2-core loop returning to the control panel. The use of spurs on this system is not permitted.**

Fix the surface back box to a flat vertical surface using at least two of the four mounting holes provided. The back box may be drilled to allow cable access as required. A 20mm hole is already provided at the rear. Cables may be terminated into the connectors, as shown below.

The Soundpoint may be flush mounted utilising the optional adaptor plate, combined with any standard single gang flush mounting back box (with a minimum internal depth of 47mm). After installing the back box securely, attach the adaptor plate using the two screws provided and terminate the loop cables directly into a flying terminal block (not supplied).

Care should be taken when terminating devices to ensure all cables are correctly sleeved and connections are secure. Improper connections will prevent a system from responding properly in the event of a fire.

Terminal	Description
RED	Loop +ve IN
YELLOW	Loop +ve OUT
BLUE	Loop -ve IN and OUT
E	Screen IN and OUT



The Loop +ve (positive) IN and the Loop +ve (positive) OUT connections are split within the module, for cable continuity readings at the commissioning stage they must be temporarily removed and connected through. Please remember that all high voltage testing must be carried out before the installation of the electronics, otherwise the electronics will be damaged. Please also note that the E terminal should only be connected to the loop screen and NOT to the building earth.

Once all testing has been carried out on the cabling and **continuity & insulation** has been proven, the sounder can be connected, with each of the three wires from the Soundpoint front being connected to the corresponding terminal in the backbox according to the wire colour. The Soundpoint front may then be installed by locating the upper mounting hooks into the receivers in the back box and then pushing the unit gently home. The single fixing screw may then be tightened as required.

If the device is flush mounted then the loop cabling must be attached to the device via a suitable connection block (not supplied). Cut off crimp fork terminals, strip ends for desired length and twist conductor strands together neatly. Terminate your cables directly into a flying terminal block. If using a metal back box, do not connect the screen to the back box earth terminal or allow it to come into contact with the metal box

NOTE: Before installing the sounder remember to note the serial number of the device (located on the rear of the unit) on to your drawings or configuration sheets to enable you to prove its location later. The address allocation for the device is carried out automatically by the control panel whilst in initialisation mode, so addresses do not need to be set manually. See the system Installation and Operating Instructions for further details.

## **Device Settings**

The sounder modes may be configured using the relevant panel software configuration package (OSP).

	<b>Type</b>	<b>Description</b>
<b>Sound Pattern:</b>	SP0	Sounder off
	SP1	Single tone, 970 Hz continuous
	SP2	Pulsed UK alert signal, 970 Hz 1s on, 1s off
	SP3	Dual tone UK evacuate signal, 970 Hz 0.25s, 800 Hz 0.25s
	SP4	Sweep up, 800 Hz to 970 Hz over 1s
	SP5	Slow whoop up, 500 to 1200 Hz over 3s, 0.5s off
	SP6	Sweep down, 1200 Hz to 500 Hz over 1s
	SP7	Dual tone French warble, 550 Hz 0.1s, 440 Hz 400ms
<b>Sound Volume:</b>	L/M/H	Low, medium and high settings are available.
See the Engineering & Commissioning Manual for your control panel (Sita, Duonet or Quadnet) for further details of how to program the above.		

## Technical Data

<b>Dimensions:</b>	Width x Height	89mm x 89mm
	Depth: Standard inc base	62mm
	Depth: Flush mounted	34mm
<b>Flush Back Box Dimensions:</b>	Required Minimum Depth	47mm
<b>Operating Temperature:</b>		-10°C to +50°C.
<b>Voltage Range (Loop):</b>		24 to 42V DC
<b>Flammability:</b>		UL94-V2
<b>IP Rating:</b>		IP 21C

**System Compatibility:** Sita200plus V2.30 onwards.  
Duonet and Quadnet V1 onwards.

PRODUCT DESCRIPTION			VOLUME LEVEL (dBA)		
Type	Product Code	Name	Low	Medium	High
SNDR	313 0001	Sita Soundpoint Mk3 (Red)	65+	80	85
	313 0002	Sita Soundpoint Mk3 (White)			

			LOOP CURRENT (mA)				
Type	Product Code	Name	Quiescent	SP0 - Off	Low	Medium	High
SNDR	313 0001	Sita Soundpoint Mk3 (Red)	0.18	-	1.74	3.87	5.39
	313 0002	Sita Soundpoint Mk3 (White)					

			BATTERY CURRENT (mA)				
Type	Product Code	Name	Quiescent	SP0 - Off	Low	Medium	High
SNDR	313 0001	Sita Soundpoint Mk3 (Red)	0.18	-	3.62	8.05	11.22
	313 0002	Sita Soundpoint Mk3 (White)					

			DLU RATING			
Type	Product Code	Name	SP0 - Off	Low	Medium	High
SNDR	313 0001	Sita Soundpoint Mk3 (Red)	-	2	4	5.5
	313 0002	Sita Soundpoint Mk3 (White)				

**N.B.** All specified volume and current readings, unless otherwise stated are taken using sound pattern SP3.

## **Technical Support**

**Contact your supplier for technical support on this product.**

Due to the complexity and inherent importance of a life risk type system, training on this equipment is essential, and commissioning should only be carried out by competent persons. Fike cannot guarantee the operation of any equipment unless all documented instructions are complied with, without variation. This unit complies with the EMC directive.

Fike's policy is one of continual improvement and the right to change a specification at any time without notice is reserved. Whilst every care has been taken to ensure that the contents of this document are correct at time of publication, Fike shall be under no liability whatsoever in respect of such contents. E&OE.



0832

**Fike Safety Technology Ltd,**  
31 Springvale Ind Est,  
Cwmbran, UK. NP44 5BD

**(Manufactured Date on Product Label)**

0832-CPD-1584

EN54-3 Fire Alarm Device – Sounder  
Type A – Indoor Use  
EN54-17 Fire Alarm Device – Isolator

Sounder Technical Data: See 26-0747  
Isolator Technical Data: See 26-1112