

- EN54 Part 25
- Fully Addressable
- 105 dB at 1m (adjustable)
- Selectable Tones From Panel
- Up to 5 Year Battery Life
- Small Attractive Compact Design
- Compatible with Zerio Plus Panels
- Available with LED Beacon
- Callpoint Input Option
- 



#### DESCRIPTION

Designed to complement the range of EDA Radio Fire Alarm equipment, the EDA-A6000 electronic sounder is powered entirely by internal batteries, controlled and monitored by radio, producing up to fourteen different sound tones at a sound level equivalent to that of a normal hard wired electronic sounder.

In normal operation the sounder continuously listens via its built in radio receiver to any instruction emanating from its controlling panel. Once operating it continues to listen for further instructions to change tone or silence.

To ensure that the integrity of the communication link is maintained, frequent transmissions are made by the sounder to the control panel so that in the unlikely event of the radio signal failing to reach the panel a fault is reported.

Other coded transmissions are made to signal faults including unit removal, battery low, receiver failure, and where external devices are connected to it, a fault in that wiring.

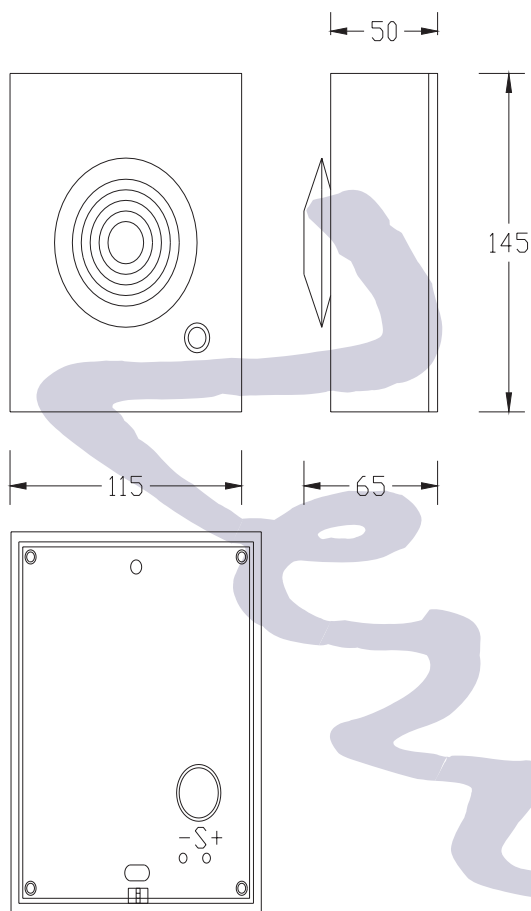
The unit is fully addressable and can be assigned to a particular area allowing phased evacuation to be incorporated into the system.

#### SPECIFICATION

Power source	Dual lithium cells
Battery life	Up to 5 years. (Based on normal use)
Battery Capacity	14Ah
Temperature Range	0 to 60°C
Humidity	0 to 95% (no condensation)
Construction	
- Casing	Injection Moulded U.V. Stabilised ABS Plastic Available in Red or White Other colours optional
- Electronics	Surface mount construction
- Options	Callpoint Connection External / Remote Antenna

#### ORDER CODES

EDA-A6000	Radio Sounder
EDA-A6001	Radio Sounder with Callpoint Input
EDA-A6002	Radio Sounder with BNC for Remote Antenna
EDA-A6003	Radio Sounder with Callpoint Input and BNC for Remote Antenna
EDA-A6030	Radio Sounder with LED Beacon
EDA-A6031	Radio Sounder with LED Beacon and Callpoint Input
EDA-A6032	Radio Sounder with LED Beacon with BNC for Remote Antenna
EDA-Q690	Spare Battery Pack (3 required)



Sounder Base Outline

## TECHNICAL INFORMATION

- Conforms to appropriate parts of BS5839 and EN54
- Powered by 6 independent AA lithium cells
- Low current technology with a battery life of up to 5 years
- Surface mount technology giving maximum reliability
- Transmitter frequency 868 Mhz
- Transmission type Narrow Band FM
- Channels 13 Available
- Electronic serial number
- 65000 system numbers
- Short transmission time
- Complex error checking
- Internal monitoring and fault diagnostic reporting
- Fault and alarm count
- LED indicator for alarm and fault conditions
- Internal magnetic reed switch to reset unit
- 65000+ Selectable Sounder Areas
- Standard Tones -
  - Low Pitch
  - High Pitch
  - Slow Sweep
  - Warble
  - 4 x Intermittent Tones
  - 8 x Class Change Tones

Volume 105 – 85 dBA Programmable from Control Panel

## GENERAL INFORMATION

Weight (Including Base)	200g (approx.)
Dimensions (Including Base)	
Height	145mm
Width	115mm
Depth	70mm
Indications	High intensity clear LED
Call Point Alarm	Red Solid
Fault	Red Flashing
Log-on Mode	Green Solid
Audible Warning	Sounds on fault reset, test mode and callpoint alarm
Fixing Holes	2 x 4mm ( No. 6 screws ) 116 mm spacing
Terminal Capacity	2 x 1.5mm <sup>2</sup>
Cable Entry	20mm diameter, rear entry only
Finish	White Polished Colours optional



Sounder Beacon

In the pursuance of a policy of continued product improvement Electro-Detectors Ltd. reserves the right to change the design and specification without prior notice. The quoted battery life is a theoretical calculation based on device performance under normal operating conditions in conjunction with the specification provided by the battery manufacturer. The figures provided are intended as a guide and therefore cannot be assumed to be a guarantee of the actual life achieved. All details were correct at time of printing.

REF:AB0009/100.CDR April 2011

**Electro Detectors**

[www.electrodetectors.co.uk](http://www.electrodetectors.co.uk)

Electro House, Edinburgh Way,  
Harlow, Essex, CM20 2EG, UK  
Tel:01279 635668  
Fax:01279 450185  
Email:eda@electrodetectors.co.uk