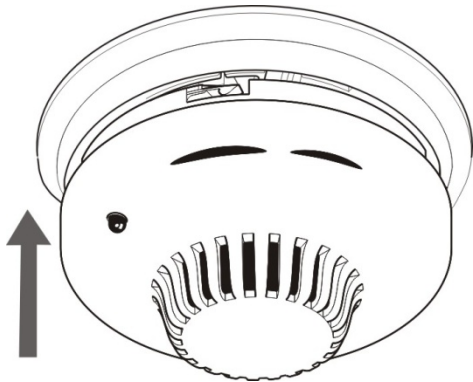
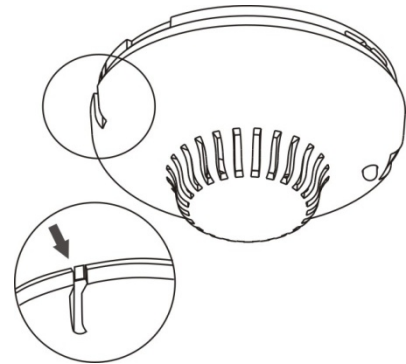


ZP700 Series Addressable Detector Installation Sheet

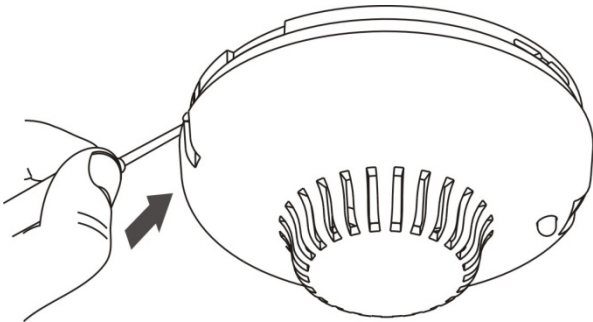
1



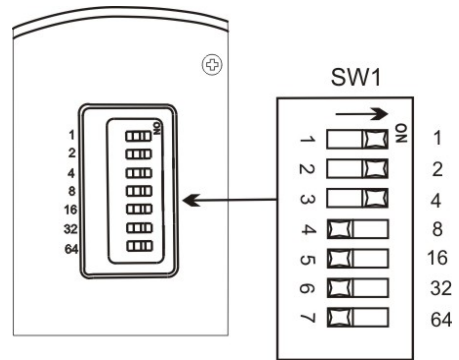
2



3



4



EN: Installation Sheet

Description

ZP700 Series Addressable Detector models are shown in Table 1.

Table 1: Models

Number	Description
ZP720-3P	Addressable Thermal Sensor, Polar White
ZP730-2P	Addressable Optical Smoke Sensor, Polar White
ZP730-2B	Addressable Optical Smoke Sensor, Black
ZP730-2S30	Addressable Optical Smoke Sensor, Chubb
ZP732-2P	Combination Smoke and Heat Detector, Polar White
ZP732-2S30	Combination Smoke and Heat Detector, Chubb

Figures

Figure 1: Inserting the detector

Figure 2: Position of the locking tab

Figure 3: Removing a locked detector

Figure 4: Setting the address

Installation

Note: For general guidelines on system planning, design, installation, commissioning, use and maintenance, refer to the EN 54-14 standard and local regulations.

To install a detector:

Insert the detector head into the mounting base and rotate it clockwise until it clicks into place (Figure 1).

The detector may be locked into the mounting base if required. To do this, remove the locking tab before installation shown in Figure 2.

After installation, ensure that the detector communicates with the control panel. Always test detectors after installation.

To remove a locked detector:

1. Insert a small screwdriver into the locking tab slot (Figure 3).
2. Press and rotate the detector anticlockwise.

Setting the address

The detectors include a seven-segment DIP switch (SW1) for assigning device addresses. Each switch segment has a decimal value as shown in Figure 4. The address is the sum of all the switch segments in the ON position. The full DIP switch address range of 1 to 127 is shown on page 4.

For example, to select a device address of 007, set SW1-1, SW1-2, and SW1-3 to the ON position and the remaining switch segments to the OFF position.

Locking base option

The sensors are compatible with a range of bases (see "Specifications") and are easily installed by a simple twist and lock action.

Note: To prevent unauthorised removal of a device from its base, an automatic locking tab is incorporated into all sensor mouldings. If the tab is removed, sensors can only be released from their bases by use of a screwdriver, as shown in Figure 3. This locking option is applied at the system commissioning stage.

Maintenance and testing

Basic maintenance consists of a yearly inspection. Do not modify internal wiring or circuitry.

Automatic self-test


Sensor sensitivity, calibration and self-testing are carried out automatically by the fire panel. Removal or replacement of an incorrect sensing device will be identified by the system and shown as a fault.


Specifications

	ZP730-2P/2B ZP730-2S30	ZP720-3P ZP732-2P ZP732-2S30
Operating voltage	19.5 to 20.5 VDC	19.5 to 20.5 VDC
Current		
Standby	600 µA	600 µA
Alarm	700 µA	700 µA
Coverage	ZP730-2P/2B: 100 m ² ZP730-2S30: 100 m ²	ZP720-3P: 50 m ² ZP732-2P: 100 m ² smoke element/ 50 m ² thermal element ZP732-2S30: 100 m ² smoke element/ 50 m ² thermal element
IP Rating	IP32	IP32
Polarity sensitive	Yes	Yes
Compatible bases	ZP7-IB-P ZP7-SB1-B ZP7-SB1-P ZP7-RB1-P ZP755B-2P ZP755BV-3 ZP755BV-4P ZP755BV-5P	ZP7-IB-P ZP7-SB1-B ZP7-SB1-P ZP7-RB1-P ZP755B-2P ZP755BV-3 ZP755BV-4P ZP755BV-5P
Compatible accessories	Z-RL4 Remote LED unit	Z-RL4 Remote LED unit
Operating temperature	-10 to +75°C	-10 to +85°C
Storage temperature	-20 to +70°C	-20 to +70°C
Relative humidity	20 to 95% noncondensing	20 to 95% noncondensing
Dimensions (Ø x H)	106 x 52 mm	ZP720-3P: 106 x 52 mm ZP732-2P: 106 x 58 mm ZP732-2S30: 106 x 58 mm
Weight	105 g	ZP720-3P: 85 g ZP732-2P: 105 g ZP732-2S30: 105 g

Regulatory information

This section includes both regulatory information and a summary on the declared performance according to the Construction Products Regulation 305/2011. For detailed information refer to the product Declaration of Performance.

Certification	
Certification body	0370
Declaration of Performance number	
ZP720-3P	360-4211-0399
ZP730-2P/2B/2S30	360-4211-0199
ZP732-2P/2S30	360-4211-0299
Year of first CE marking	05
Product Identification	ZP720-3P ZP730-2P ZP730-2B ZP730-2S30 ZP732-2P ZP732-2S30

Intended use	See DoP point 3
Essential characteristics	See DoP point 9
Manufacturer	Gulf Security Technology Co.,Ltd 80, Changjiang East Road, QETDZ, Qinhuangdao, Hebei Province, China 066004 Authorized EU manufacturing representative: UTC Fire & Security B.V. Kelvinstraat 7, 6003 DH Weert, Netherlands
European Union directives	1999/5/EC (R&TTE directive): Hereby, UTC Fire & Security declares that this device is in compliance with the essential requirements and other relevant provisions of Directive 1999/5/EC.
	2002/96/EC (WEEE directive): Products marked with this symbol cannot be disposed of as unsorted municipal waste in the European Union. For proper recycling, return this product to your local supplier upon the purchase of equivalent new equipment, or dispose of it at designated collection points. For more information see: www.recyclethis.info .

Contact information

For contact information, see www.utcssecurityproducts.eu.

